

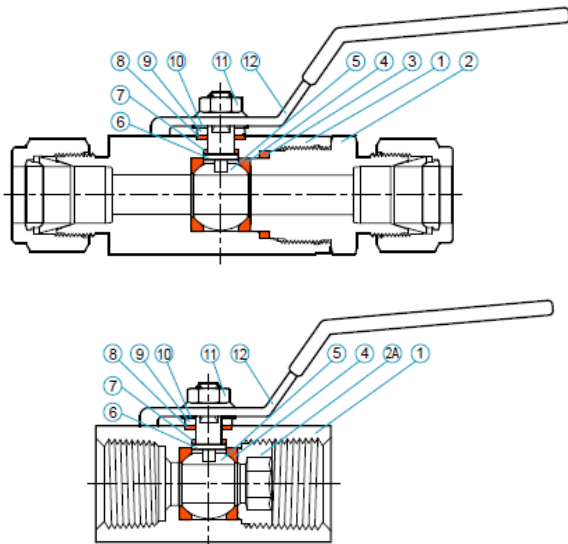
- For use from 1/4" to "1" (6 to 25mm O.D) Tubing and Piping System
- Working pressure up to 1000psig(69bar) and 2000psig(138bar).
- Stainless Steel, Brass

Features

- Compact design with one piece hexagon body construction.
- 2-way straight pattern.
- Free floating ball design provides seat wear compensation.
- Micro-finished ball provides a leak-tight seal.
- Low torque quarter turn on-off control.
- Various end connections: reliable OTG-LOK, NPT & ISO male & female Threads.
- Butterfly handle and locking device handle is available as option
- Tube adapter ends allow tubing connection in any direction.

Working Pressure

- Stainless & Brass with PTFE seats: 1000 psig (68.9 barg) at 100°F(38°C).
- Stainless with TFM seats: 2000 psig (137 barg) at 100°F(38°C).
- Valve with Butterfly Handle is not applicable TFM Seats.



Standard Bar Handle



Butterfly handle valves



Dielectric handle valves



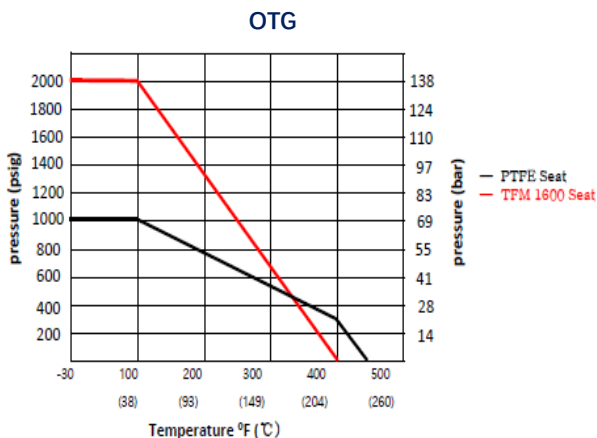
Tube adapter End



Materials of Construction

Item	Description	Material/ ASTM Specification	
		Stainless Steel	Brass
1	Body	S316/A479, A276	Brass / B16
2	End Connector	S316/A479, A276	Brass / B16
2A	Insert	SS316	
3	Connector Packing	Reinforced PTFE	
4	Seat	Reinforced PTFE, Optional TFM 1600	
5	Ball	S316/A479	
6	Ball Stem	SS316	
7	Lower Packing	Reinforced PTFE	
8	Upper Packing	Reinforced PTFE	
9	Grand	SS304	
10	Grand Washer	SS304	
11	Flange Nut	SS304	
12	Handle	SS304 Lever Handle with blue PVC sleeve Optional ZINC/ ASTM B240 Butterfly handle, Nickel-plate	

Pressure-Temperature Ratings



Applications

- Water, Oil, Gas
- Fuel Lines
- Refineries
- Petrochemical Plants
- Steel mills
- Heavy Vehicles
- General duty applications

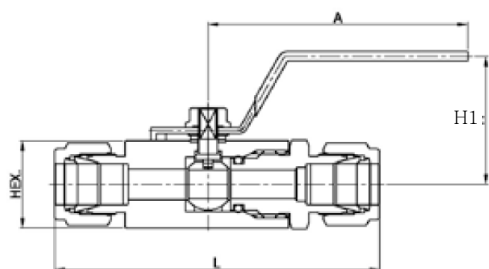
Factory Test

- Every valve is factory tested with Nitrogen@600psig(41bar) for leakage at the seat to a maximum allowable leak of 0.1 scc/min.
- The stem packing is tested for no detectable leakage.

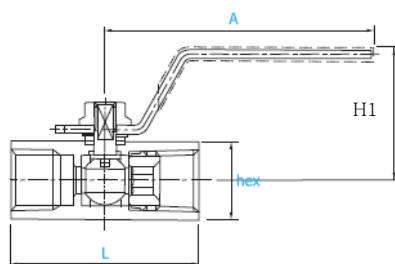
Cleaning and Packing

- All valves are cleaned and packaged in accordance with OTG-LOK standard cleaning and packaging procedures.

OTG-Lok Tube Fitting Ends



Female Thread Ends



Tube Adapter Ends

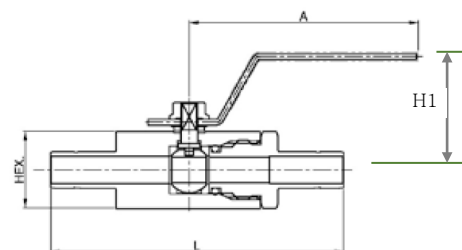


Table of Dimensions

Basic Ordering Number		Orifice mm (in.)	Cv	End Connections Inlet/Outlet	Dimensions, mm (in.)			
					L	H1	H (Hex)	A
OHBVA	O-4T	5.0 (0.2)	1.25	1/4" OTG-LOK	79 (3.11)	30 (1.18)	17.0 (11/16)	68.5 (2.7)
	O-4TA			1/4" OD Tube Adapter	103.3 (4.07)			
	O-6M		6mm OTG-LOK	79 (3.11)				
	F-4N		1/4" Female NPT	42 (1.65)				
OHBVB	O-6T	7.5 (0.3)	2.5	3/8" OTG-LOK	91.2 (3.59)	33 (1.3)	20.64 (13/16)	82 (3.23)
	O-6TA			3/8" OD Tube Adapter	112.2 (4.42)			
	O-10M			10mm OTG-LOK	91.2 (3.59)			
	F-6N			3/8" Female NPT	45 (1.77)			
OHBVC	O-8T	9.0 (0.35)	9.25	1/2" OTG-LOK	99 (3.9)	33.5 (1.32)	27.0 (1-1/16)	100 (3.94)
	O-8TA			1/2" OD Tube Adapter	116.9 (4.6)			
	O-12M			12mm OTG-LOK	99 (3.9)			
	F-8N			1/2" Female NPT	54.5 (2.15)			
OHBVD	O-10T	12.5 (0.49)	10.6	5/8" OTG-LOK	109 (4.29)	46 (1.81)	32.0 (1-1/4)	100 (3.94)
	O-12T		12.65	3/4" OTG-LOK	110 (4.33)			
	O-12TA		3/4" OD Tube Adapter	123.6 (4.87)				
	O-16M		10.6	16mm OTG-LOK	109 (4.29)			
	F-12N		12,65	3/4" Female NPT	61 (2.4)			
OHBVE	O-16T	16.0 (0.63)	17.35	1" OTG-LOK	131.6 (5.18)	50 (1.97)	38.1 (1-1/2)	100 (3.94)
	O-16TA			1" OD Tube Adapter	139.3 (5.48)			
	F-16N			1" Female NPT	76 (2.99)			

Dimensions with OTG-Lok nuts are in finger-tight position.

Ordering Information and Dimensions

Dimensions are for reference only and are subject to change. Select a basic ordering number, and applicable options.

OHBVC-O-8T - TF - BF - LD - SS

1 2 3 4

1. Seat Material	2. Handle	3. Option	4. Body Material
<ul style="list-style-type: none"> ● Nil: Standard PTFE seats for 1000psi (68.9bar) ● TF: Optional TFM1600 seats for 2000psi (138bar). <p>NOTE: TFM 1600 Seat is not applicable to Brass valve</p>	<ul style="list-style-type: none"> ● Nil : Standard Bar Handle ● BF: Butterfly Handle ● DY: Dielectric Handle <p>NOTE: BF handle is not applicable to the valve with TFM Seats.</p>	<ul style="list-style-type: none"> ● LD: Locking Device <p>NOTE: Locking device is only applicable to the valve with bar handle.</p>	<ul style="list-style-type: none"> ● SS: SS316 ● BS: Brass

SAFETY in VALVE SELECTION

The system design, application must be taken into consideration to ensure optimal performance and safety. Selections of valve function and rating, proper installation, material compatibility, operation and maintenance of these valve are the responsibility of the system designer and the user. OTG accepts no liability for any improper selection, installation, operation or maintenance.



TEL 82-70-8690-8889
 FAX 82-51-955-3565
 E-mail otg@otglok.com

